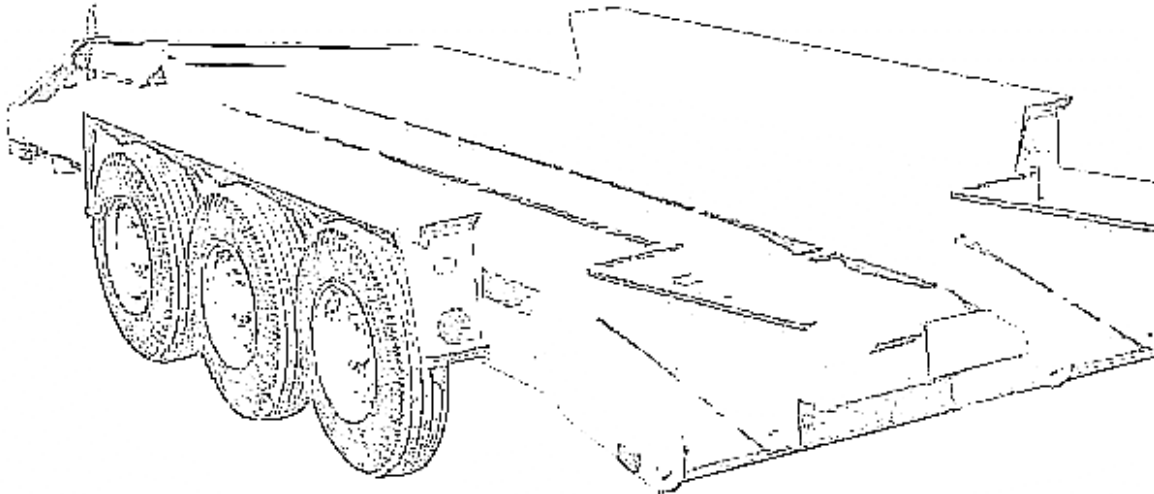


We thank you for your enquiry and so that we can process this without delay it is important that you complete the attached form. This is the minimum amount of information needed to assess your trailer. Any omissions will mean that we may have to consult the original trailer manufacturer and component manufacturers for data, which could incur a delay in processing your paperwork. In some circumstances, additional data may be required and if this is likely we will put in a further request to you. We thank you in advance for your co-operation.

SvTech Ltd



COMPLETE THIS PAGE IN EVERY CASE

General details

Company Name			
Address		Telephone No.	
		Mobile No.	
		Facsimile No.	
POSTCODE		Contact Name	

PREFERRED TESTING STATION	Number

Trailer Manufacturer		Model	
		Type of Trailer	
Chassis number			
Ministry Identification No			

SvTech

Chandler House, Talbot Road, Leyland, Lancs. PR25 5ZF

Tel: +44 (0)1772 621800 Fax: +44 (0)1772 621647

Email: enquiries@svtech.co.uk

WebPages: www.svtech.co.uk

The Vehicle Inspectorate will also require the following data :-

24. Copy of Original Plating Certificate: Form VTG7T
25. **SUSPENSION**
 Has suspension been part of another trailer YES NO
- (a) **SPRINGS**
 Make _____ Type _____
 Capacity _____
 Length of Spring (mm) _____ Width of Spring (mm) _____
 Stack Height (mm) _____ How Many Leaves _____
- (b) **AIR or RUBBER Suspension**
 Make _____ Type _____ Capacity _____
26. **AXLES**
 Has the axle been part of another Trailer YES NO
 Axle Diameter (mm) _____
27. **BRAKES**
 Type of Actuators (Single, Double or Spring) _____
 2 or 3 Line System _____
 Axles on which Park Brake Operates _____
 Is Load Sensing Present ? _____
28. **ANTILOCK BRAKES FITTED** YES NO
Please attach copy of LSV dataplate
 Operating on which axle? 1 2 3
 ABS Make and Model _____
29. **DRAWBAR TRAILER ONLY**
 Turn-table Make / Model & Capacity _____
30. **RESERVOIR VOLUME** _____
31. **CHASSIS FRAME**
 Has frame been part of another Trailer YES NO
 Dimension measured midway along the frame _____
 Type of Section _____
 W (mm) _____ H (mm) _____ T (mm) _____
 Steel Spec or other material used (if known) _____
32. **OVERALL DIMENSIONS**
 Overall Width _____ Overall Length (a) _____
 King Pin centre to centre of rearmost axle (c) _____
 King pin centre to back of Trailer (d) _____
 Centre of rearmost axle and back of trailer (e) _____
 Axles centres of tandems and Triaxles (f1) _____ (f2) _____
 For Drawbar Trailers only
 Centre of foremost to centre of rearmost axle (b) _____

